

PORTABLE BEVELING MACHINE FROM STEELMAX®

PB5 ID MOUNTED BEVELING MACHINE

RAPIDLY PRODUCE ACCURATE WELD PREPARATION FOR TUBE, PIPE AND BOILER REPAIR



Eliminate laborious hand grinding, poor fit-up, weld defects and over welding with this in-line machining tool!

Extremely productive when full penetration welding is required, the Steelmax **PB5** will produce accurate weld preparation within seconds. Creating highly repeatable and consistent fit-up, this tool dramatically reduces cycle times and improves work flow. By utilizing a self-centering mandrel which mounts internally to the open end of the tube or pipe, the PB5 can be rapidly deployed from one pipe to another.

Available with a pneumatic or electric motor, the **PB5** can be mounted in pipe or tubing with a minimum inside diameter of 1.25" (32 mm) and can bevel outside diameters up to 4.5" (114 mm). Designed with three tool holders, the **PB5** will simultaneously perform three different machining operations milling the OD Bevel, Root Face and an I.D. counterbore to create consistent wall thickness around the joint and ensure complete weld penetration.

Optional Accessories include:

- An extension set to accommodate pipe or tubing up to 5 ½" (140 mm) O.D.
- Boiler Repair Kit for working on water walls and in restricted spaces.

FEATURES

- Bevel, face and ID counterbore the pipe or tubing simultaneously
- Available with pneumatic or electric motor options
- Variety of tool bits available for creating various bevel angles for V and J groove preparation
- Self-Centering ID Mounted Mandrel



Steelmax
The tools of innovation.

PB5 PIPE BEVELING MACHINE

PB5-E / PB5-P Technical Specifications		
	PB5-E	PB5-P
Motor Drive	Electric	Pneumatic
Motor Power	1,100 Wats	800 Wats
Speed Range	0-300 RPM	90 RPM
Power Supply Options	110-120V/50-60 Hz or 220-240V/50-60 Hz	NA
Air Requirements	NA	56.5 CFM (1600 L/min) / 87 PSI (0.6 Mpa)
Operating Weight (with Motor)	24 lbs (11 kg)	22 lbs (10 kg)
Min/Max Pipe Sizes (Min ID/Max OD) - Standard Mandrel	1.26" ID/4.49" OD (32 mm ID/114 mm OD)	
Min/Max Pipe Sizes (Min ID/Max ID) - Small Mandrel	1" ID/1.25 ID (25mm ID/33mm ID)	
Min/Max Pipe Sizes (Min OD/Max OD) - Large Spindle Disc	4.5" OD/5.5" OD (114mm OD/140mm OD)	

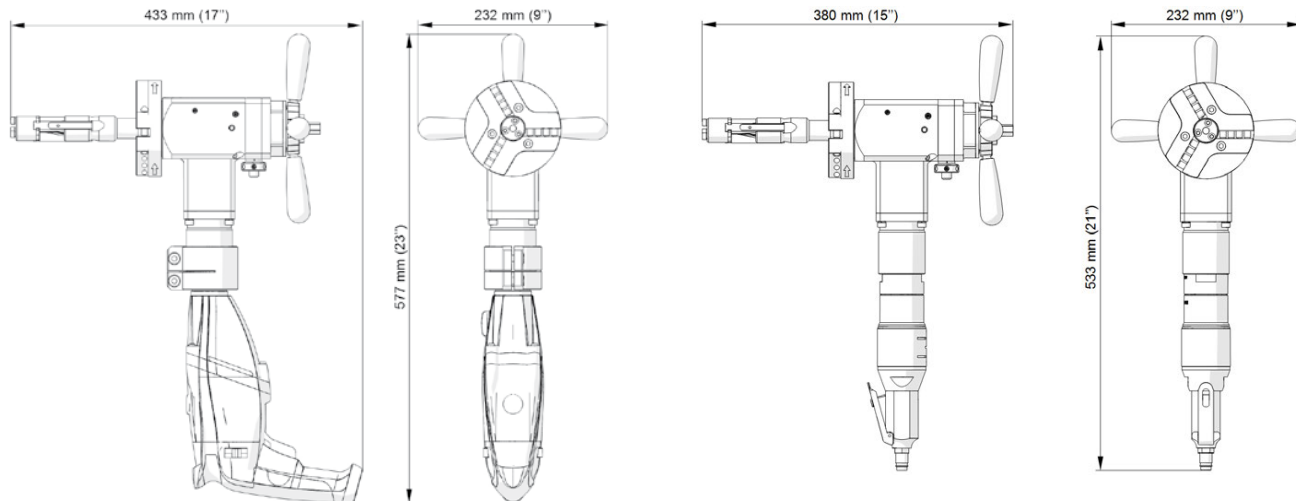
Maximum Allowable Pipe Schedule										
Nominal Pipe Diameter	1"	1 1/4"	1 1/2"	2"	2 1/2"	3"	3 1/2"	4"	4 1/2"	5"
Maximum Pipe Schedule	SCH 40S/40/STD	SCH 80/80XS	SCH 160	XXS	SCH 160	SCH 160	SCH 80/80XS	SCH 120	SCH 40S/40/STD*	SCH 40S/40/STD*

* Requires optional 5 1/2" (140 mm) spindle disk set.

Maximum Allowable Pipe/Tube Wall Thickness					
Pipe/Tube Size Range	1" - 1.25" ID (25 mm to 33mm ID)	1.25" ID to 4.5" OD (32 mm ID to 114 mm OD)	4.5" - 5" OD*	5" - 5.2" OD*	5.2" - 5.5" OD*
Maximum Wall Thickness	0.5" (12 mm)	0.5" (12 mm)	0.39" (10 mm)	0.31" (8 mm)	0.24" (6 mm)

* Requires optional 5 1/2" (140 mm) spindle disk set.

Dimensions

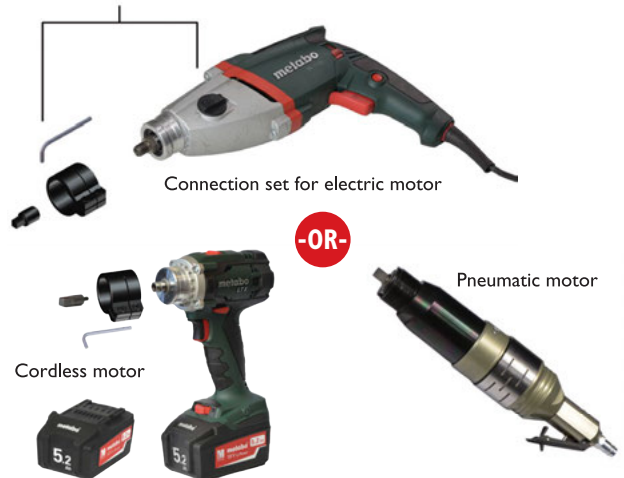


PB5 Standard shipping set:

- Beveling head unit with either electric or pneumatic motor
- Metal shipping box
- Standard self-centering expandable mandrel for pipe ID Ø 1.25" – 4.25" (32 – 107 mm)
- 118 mm spindle disc
- Jaw blocks (1, 2, 3, 4, 5, 6) – 3 sets
- Set of tools
- Coolant container
- Operator's manual



115V Electric Motor



PORTABLE BEVELING MACHINE FROM STEELMAX®

Part Number

SM-NOZ-000031	F0-30 0° facing tool bit	
SM-NOZ-000032	B30 30° bevelling tool bit*	
SM-NOZ-000033	B30d 30° bevelling tool bit**	
SM-NOZ-000036	B375 37.5° bevelling tool bit*	
SM-NOZ-000037	B375d 37.5° bevelling tool bit**	
SM-NOZ-000040	B45 45° bevelling tool bit*	
SM-NOZ-000041	B45d 45° bevelling tool bit**	

For pipe diameters between 2.2" and 3.26" (56 mm and 83 mm), both long and short beveling tool bits can be used in conjunction with 0 degree facing tool bit.

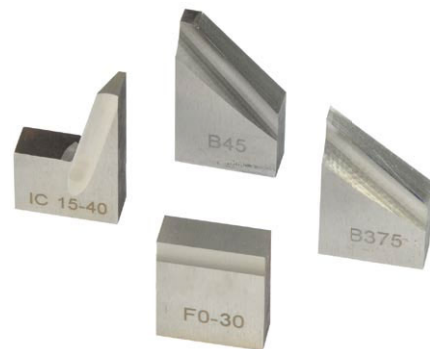
* For pipe diameters over 2.2" (56 mm), short beveling tool bit must be used in conjunction with 0° facing tool bit

** For pipe diameters under 3.26" (83 mm), long beveling tool bit must be used in conjunction with 0° facing tool bit



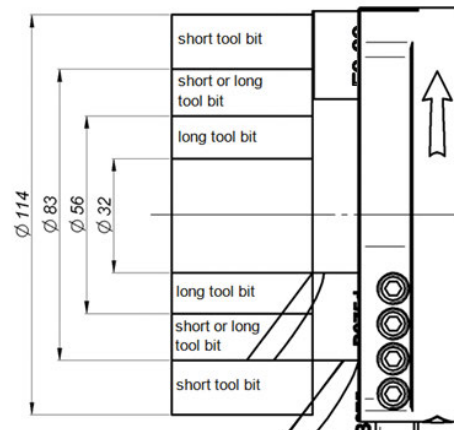
Part Number

SM-NOZ-000052	IC15-40 15° internal counterbore tool bit	
SM-NOZ-000053	IC15-40 15° internal counterbore tool bit – for diameters over 2.2" (56 mm)	
SM-NOZ-000058	J10-R6 10° J-bevelling tool bit	
SM-NOZ-000057	J15-R2 15° J-bevelling tool bit	
SM-NOZ-000059	J20-R8 20° J-bevelling tool bit	



Wide range of tool bits for various applications.

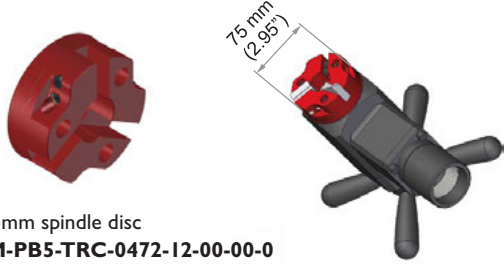
When using 0° facing tool bit in conjunction with beveling tool bit, either long or short beveling tool bit is used depending on pipe diameter.



PB5 PIPE BEVELING MACHINE FROM STEELMAX®

Optional Accessories

Boiler Repair Accessories – For work on water walls and restricted spaces.

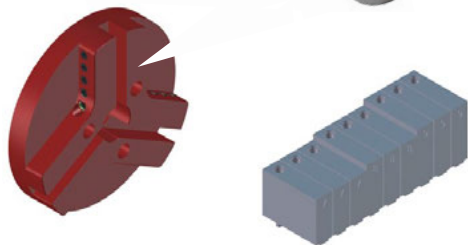


75 mm
(2.95")

Minimum distance
between tubes is
75mm (2.95")



Ratchet wrench
SM-PB5-KLC-000045



Extension set for OD Ø up to 5.5" (140 mm) including
140 mm spindle disc and jaw blocks (7, 8, 9) – 3 sets
SM-ZST-0472-15-00-00-0



Additional Equipment

Item	Description
SM-PB5-BE 1100	PB5 Electric Motor 115V
SM-PB5-SLN-000176	PB5 Electric Motor 230V
SM-PB5-ZST-0472-11-00-00-1	PB5 Clamping Ring Set for Electric Motor
SM-PB5-KLC-000045	PB5 Ratchet Wrench
SM-PB5-NPD-0472-03-00-00-0	PB5 Pneumatic Motor
SM-PB5-TRC-0472-12-00-00-0	PB5 Spindle Disk
SM-PB5-UKS-0472-10-00-00-0	PB5 Beveling Head Unit
SM-PB5-ZST-0472-15-00-00-0	PB5 Extension Block Set
SM-PB5-TRZ-0472-21-00-00-0	PB5 Small Mandrel
SM-PB5-BS 18 LTX	PB5 Cordless Electric Motor
SM-PB5-ZST-0472-22-00-00-0	PB5 Clamping Ring Set for Cordless Motor



Steelmax
The tools of innovation.



For ordering and customer service, or to request detailed product information or demonstration videos, contact:

877-833-5629

STEELMAX.COM

sales@Steelmax.com

Fax: 303-690-9172